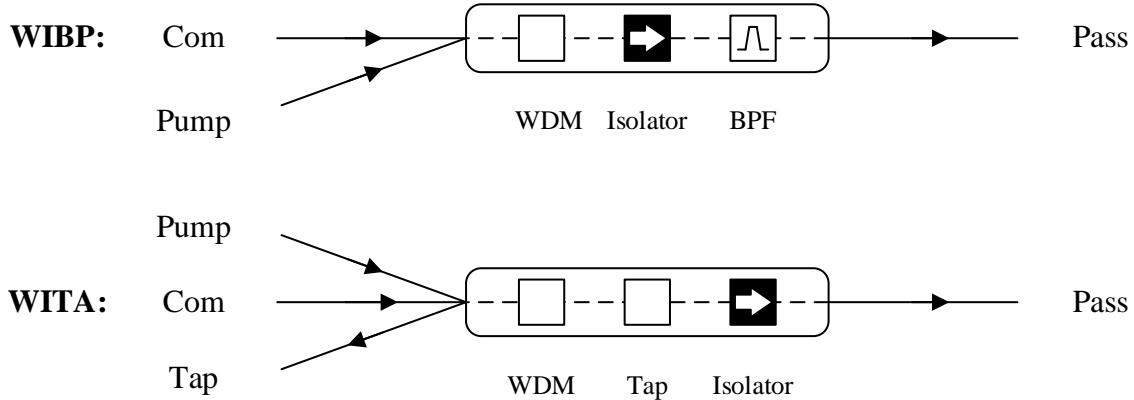


Product: WDM + Isolator + Tap or BPF Hybrid

Part Number	Spec Number	Version	Date
WIBP(WITA)XXXXXXXXXXXX	S055	Rev 07	09/30/2021

1 Function Diagram



2 Specifications

2.1 Environment Conditions

Item	Parameters	Symbol	Min	Typ	Max	Units	Note
1.	Operating Temperature	Top	-40		105	°C	
2.	Storage Temperature	Tstor	-40		120	°C	
3.	Operating Relative Humidity	RHop	5		95	%	[1]
4.	Storage Relative Humidity	RHstor	5		95	%	[1]

Note:

[1] Not to exceed industrial standard of 0.024 kg water per kg of dry air under non-condensing conditions.

2.2 Optical Specifications

Item	Parameters	Symbol	Min	Typ	Max	Units	Note
5.	Signal Length	λ_s	1535 or 1550			nm	
6.	Pump Wavelength	λ_p	940			nm	
7.	Min. Pass Bandwidth @0.5dB down	PBW	4			nm	
8.	Max. Stop Bandwidth @25dB down	SBW	13			nm	
9.	Insertion Loss (Com → Pass) @ λ_s	IL			1.5	dB	
10.	Insertion Loss (Pump → Com) @ λ_p	IL			0.8	dB	
11.	Insertion Loss (Com → Tap) @ λ_s	IL	28		32	dB	
12.	Isolation (Pass → Com) Single Stage	ISO	16			dB	
13.	Isolation (Pass → Com) Dual Stage	ISO	32			dB	
14.	Isolation (Pump → Tap) @940nm 23°C	ISO	70			dB	G
15.	Polarization Dependent Loss	PDL			0.25	dB	
16.	Return Loss @23°C	Com & Tap & Pass (1550nm)	RL	50		dB	
		Pump (940nm)	RL	25		dB	
17.	Signal Power Handling (Average)	Ps			5	W	G
18.	Signal Power Handling (ns Pulse Peak)	Ps			5	kW	G
19.	Pump Power Handling (Continuous Wave)	Pp			10	W	G

Note:

* Above specifications are for device without connector. IL is 0.3 dB higher, RL is 5 dB lower after connector added.

G: Guaranteed by design.

2.3 Mechanical Specifications

2.3.1 Specifications

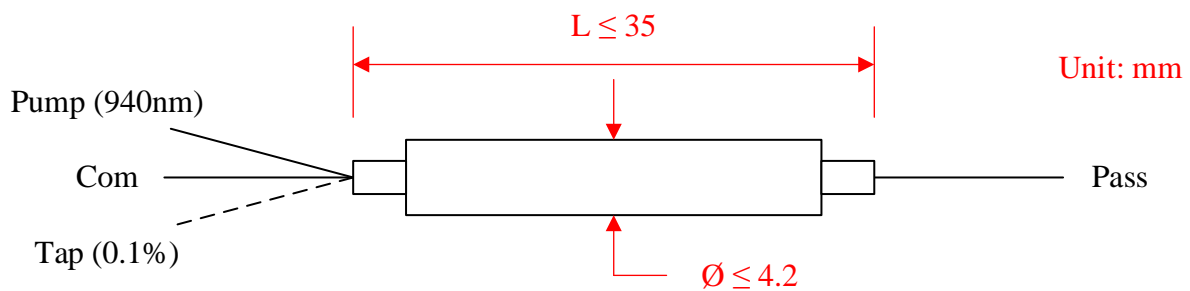
Item	Parameters	Symbol	Min	Typ	Max	Units	Note
20.	Fiber Type	Com		SM-GDF-10/125			
		Pass & Tap		By PN			
		Pump		MM-105/125 0.22NA			
21.	Fiber Length			By PN		m	
22.	Fiber Jacket			Bare fiber			
23.	Connector Type			By PN			[2]
24.	Package Dimension		$\varnothing \leq 4.2 \times L \leq 35$			mm	
25.	Fiber Color	Com		Natural			
		Pass		Natural			
		Tap		Black			[3]
		Pump		Red			[3]

Note:

[2] The optical power is only 1W for connector.

[3] Mark the fiber starting at 10~30cm away from the device body to fiber end.

2.3.2 Drawing



3 Device Label, Delivery Data

Triple-Stone standard format.

4 RoHS

RoHS compliant.

5 Ordering Information

